

MF3iw-s

Working range ID-OD: 16 - 50 mm

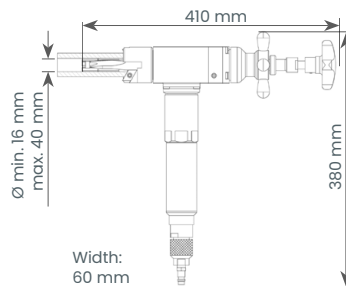
The mobile pipe beveling machine MF3iw-s is used for processing and weld seam, edge preparation of pipes, nozzles, headers and heat exchangers.



Optional accessories



Tooling (from p. 32)



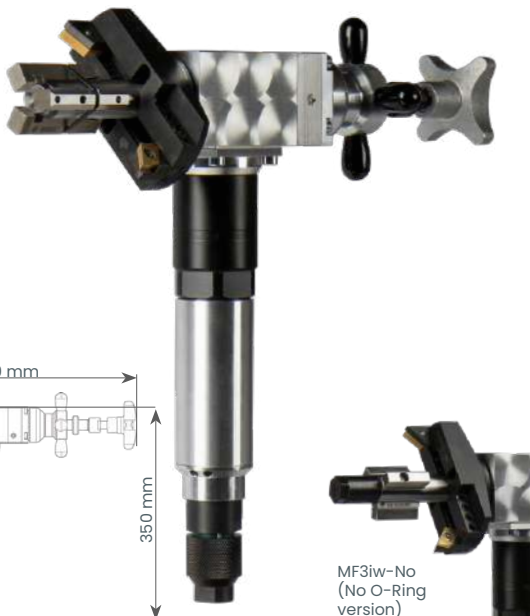
Technical data

Clamping range ID-ID	16 - 40 mm	0,62 - 1,57"
Working range ID-OD	16 - 50 mm	0,62 - 2,0"
Max. wall-thickness	10 mm	0,39"
Feed	20 mm	0,79"
Weight with pneumatic motor	5,8 kg	12,8 lb
Weight with electric motor	7,0 kg	15,4 lb
Weld prep	facing, V & J-prep, counter boring	
Materials	steel, stainless steel, duplex, high-alloyed	
Tooling	tool bits, TiN inserts, custom bits	
Machine body	lightweight housing	



Available drives

Pneumatic motor		
Power	850 W	1,2 HP
Air pressure	6 bar	87 psi
Air consumption	0,96 m³/min	33,9 cfm
Air hose connection	1/4"	
Features	speed control	
Electric motor		
Power consumption	1.500 W (110V/230V)	1,1 HP
Features	restart and overload protection, speed adjustment, torque control	



Width: 60 mm

MF3iw-No
(No O-Ring
version)

Technical data

Clamping range ID-ID	25 - 96 mm	0,43 - 0,67"
Working range ID-OD	25 - 114,3 mm	0,98 - 4,5"
Max. Wall thickness	15 mm	0,6"
Feed	20 mm	0,79"
Weight with pneumatic motor	5,8 kg	12,8 lb
Weight with electric motor	7,0 kg	15,4 lb
Weld prep	facing, V & J-prep, counter boring	
Materials	steel, stainless steel, duplex, high-alloyed	
Tooling	tool bits, TiN inserts, custom bits	
Machine body	lightweight housing	

MF3iw

Working range ID-OD: 25 - 114,3 mm

The portable MF3iw pipe beveling machine is used for weld seam preparation when welding thick-walled pipes, boiler tubes, nozzles and headers. Due to its low weight, it can be operated by only one person and is ideally suited for mobile applications.



Optional accessories



Tooling
(from p. 32)

Special tool for
repairing heat
exchangers

Lever feed for
fast feed

XL extension for ID
16 - 25 mm
(only for lever feed)

Available drives

Pneumatic motor		
Power	850 W	1,2 HP
Air pressure	6 bar	87 psi
Air consumption	0,96 m³/min	33,9 cfm
Air hose connection	1/4"	
Features	speed control	
Electric motor		
Power consumption	1.500 W (110V/230V)	1,1 HP
Features	restart and overload protection, speed adjustment, torque control	