

PIPE BEVELING MACHINES OD MOUNT

MF3-25 XL

Clamping range OD-OD:
20 - 76,1 mm

The pipe beveling machine MF3-25 XL has a working range from ID 12,5 mm to OD 76,1 mm and can be equipped with an angled drive on request. When using the optional angle motor, the machine can be used in confined spaces.



Optional accessories



Tooling
(from p. 32)



Indexable insert
crown milling
cutter



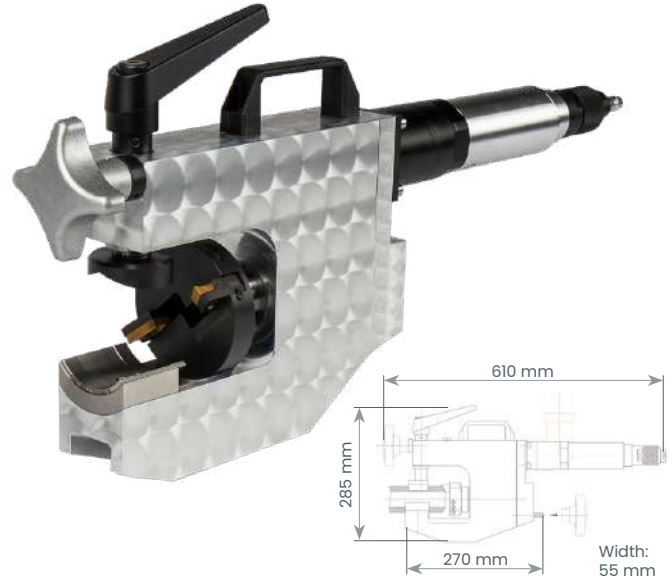
Easy-to-fit
solution



Angle motor

Technical data

Working range ID-OD	12,5 - 76,1 mm	0,492" - 1,496"
Clamping range OD-OD	20 - 76,1 mm	0,787" - 1,496"
Max. wall-thickness	15 mm	0,59"
Feed	25 mm	0,98"
Weight with pneumatic motor	8,8 kg	18,5 lb
Weight with electric motor	10 kg	21,2 lb
Weld prep	facing, V & J-prep, counter boring	
Materials	steel, stainless steel, duplex, high-alloyed	
Tooling	tool bits, TiN inserts, custom bits	
Machine body	lightweight housing	



Available drives

Pneumatic motor		
Power	850 W	1,2 HP
Air pressure	6 bar	87 psi
Air consumption	0,96 m ³ /min	33,9 cfm
Air hose connection	1/4"	
Features	speed control	

Electric motor		
Power consumption	1.500 W (110V/230V)	2,0 HP
Features	restart and overload protection, speed adjustment, torque control	

MF4

Clamping range OD-OD:
38 - 133 mm

The largest externally clamping pipe beveling machine MF4 can also be equipped with an angled drive on request. This allows the machine to be used in special situations that require a compact design in addition to a large working and clamping range.



Optional accessories



Tooling
(from p. 32)



Indexable insert
crown milling
cutter



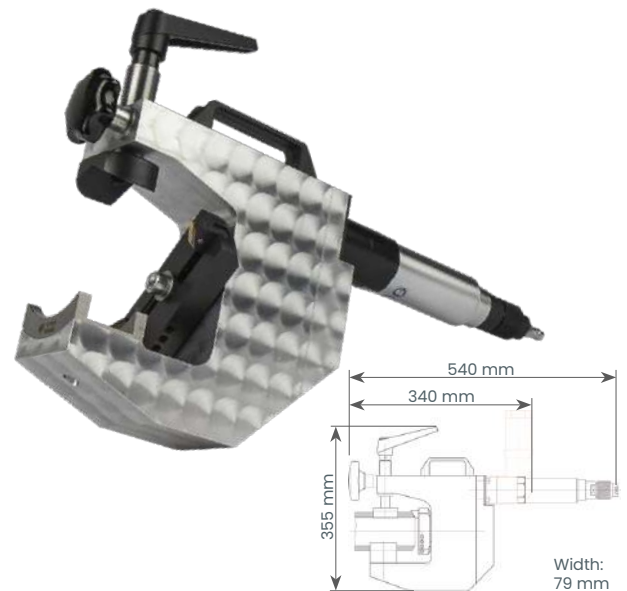
Easy-to-fit
solution



Angle motor

Technical data

Working range ID-OD	25 - 133 mm	0,984" - 5,236"
Clamping range OD-OD	38 - 133 mm	1,496" - 5,236"
Max. wall-thickness	25 mm	0,984"
Feed	15 mm	0,59"
Weight with pneumatic motor	13 kg	26,5 lb
Weight with electric motor	14,2 kg	31,75 lb
Weld prep	facing, V & J-prep, counter boring	
Materials	steel, stainless steel, duplex, high-alloyed	
Tooling	tool bits, TiN inserts, custom bits	
Machine body	lightweight housing	



Available drives

Pneumatic motor		
Power	850 W	1,2 HP
Air pressure	6 bar	87 psi
Air consumption	0,96 m ³ /min	33,9 cfm
Air hose connection	1/4"	
Features	speed control	

Electric motor		
Power consumption	1.500 W (110V/230V)	2,0 HP
Features	restart and overload protection, speed adjustment, torque control	